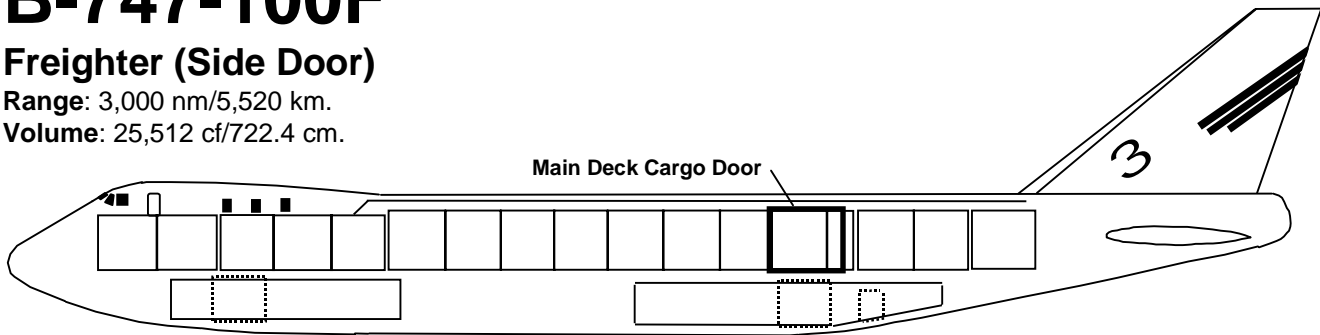


B-747-100F

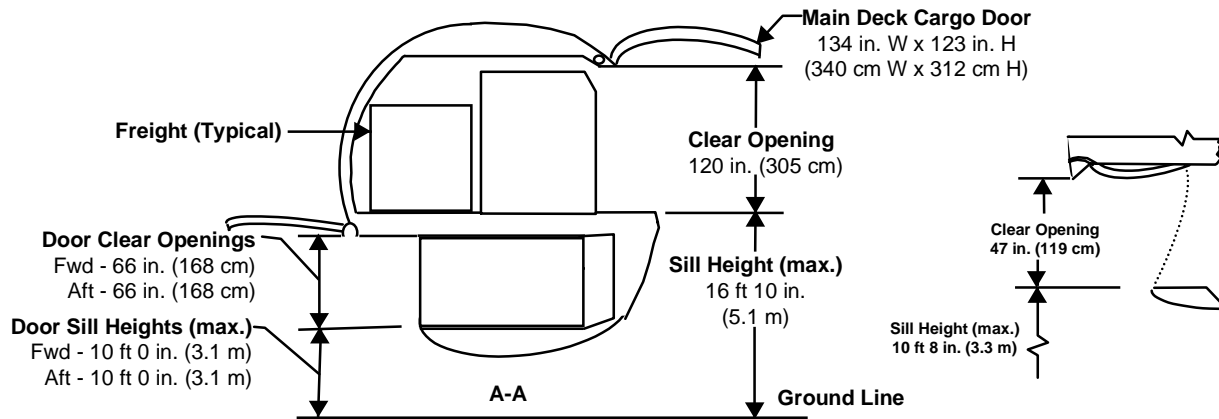
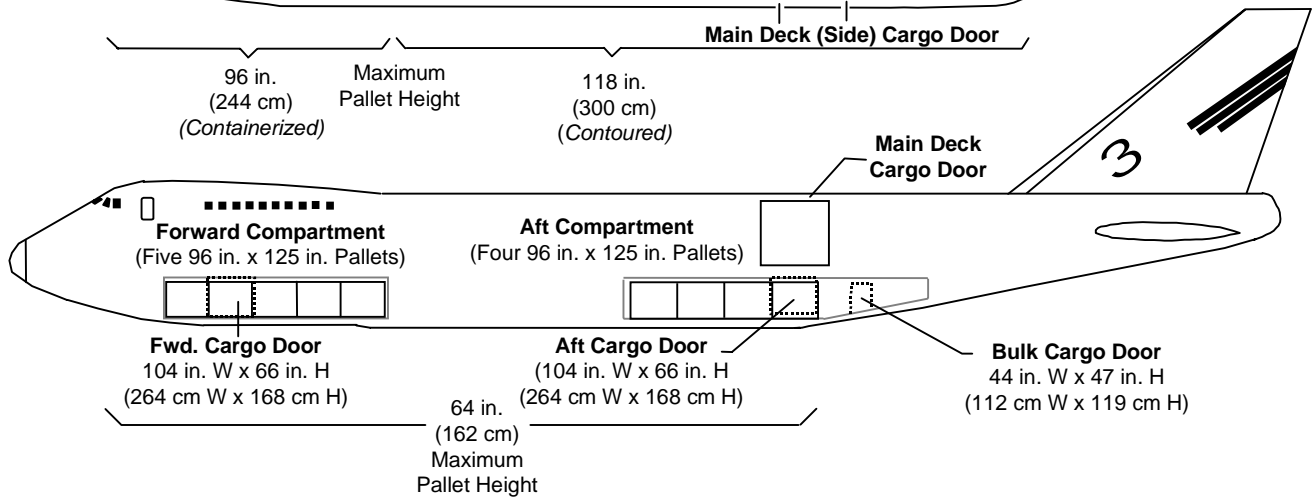
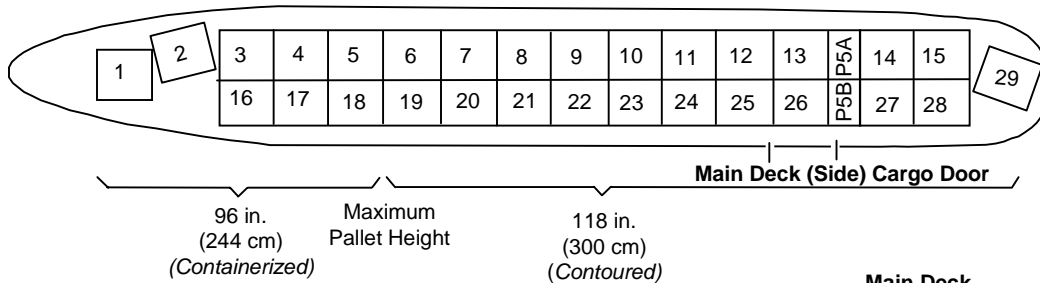
Freighter (Side Door)

Range: 3,000 nm/5,520 km.

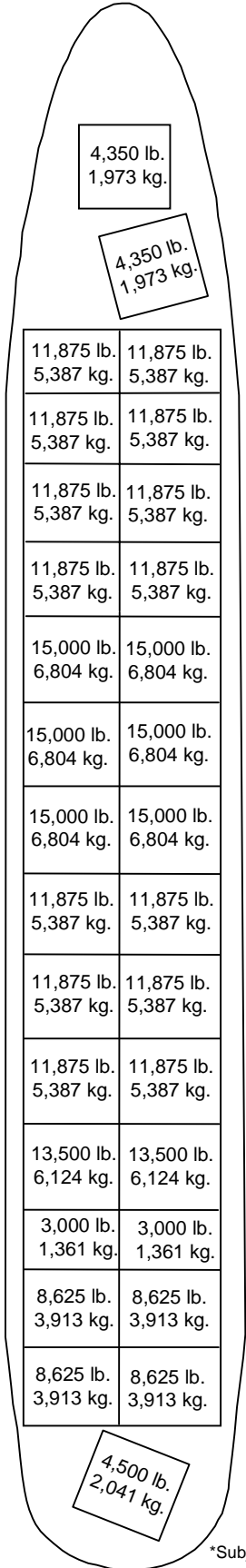
Volume: 25,512 cf/722.4 cm.



Main Deck 29 Pallets (96 in. x 125 in.) and 2 Half Pallets (96 in. x 53 in.)



Pallet Position Max. Weights*



**Lower Deck
Max. Weights***
(96 in. x 125 in.
Pallets)

11,100 lb.
5,035 kg.

11,100 lb.
5,035 kg.

11,100 lb.
5,035 kg.

11,100 lb.
5,035 kg.

11,100 lb.
5,035 kg.

11,100 lb.
5,035 kg.

11,100 lb.
5,035 kg.

11,100 lb.
5,035 kg.

11,100 lb.
5,035 kg.

14,800 lb.
6,750 kg.
(bulk)

B-747-100F

Freighter (Side Door)

N477EV, N478EV

Max. Gross Payload: 205,500 lbs./96,160 kgs.

N479EV, N480EV, N481EV

Max. Gross Payload: 224,700 lbs./102,510 kgs.

Main Deck Max. Piece Size

Height Inches	Width in Inches													
	10	20	30	40	50	60	70	80	90	100	110	120	130	134
118	470	412	367	331	302	280	259	239	219	198	179	161	144	137
114	536	458	404	361	326	299	277	256	237	217	196	177	158	153
108	600	509	441	391	350	318	293	271	251	231	212	192	173	165
102	600	561	481	418	373	338	309	284	263	243	224	204	185	180
0-96	600	600	517	447	395	355	323	297	275	254	232	213	196	192

Lower Deck Max. Piece Size
Forward & Rear Compartments

Height Inches	Width in Inches										
	10	20	30	40	50	60	70	80	90	100	104
64	280	245	220	195	170	155	125	125	125	125	125
60	330	285	240	220	195	175	160	145	135	125	125
55	385	325	280	245	215	195	175	155	145	135	135
50	440	360	305	265	230	210	185	165	150	145	140
45	440	430	360	300	260	225	200	170	155	150	140
40	440	440	410	345	290	255	220	195	175	160	155
35	440	440	440	380	330	270	235	205	180	160	155
30	440	440	440	420	345	285	245	210	190	165	160
25	440	440	440	440	360	300	255	220	190	165	160
20	440	440	440	440	385	315	265	225	195	170	160
15	440	440	440	440	415	330	280	235	200	175	160
10	440	440	440	440	440	360	295	245	210	180	165
5	440	440	440	440	440	440	320	265	225	185	170

Aft Bulk Compartments

Height Inches	Width in Inches										
	4	8	12	16	20	24	28	32	36	40	44
47	140	140	140	132	126	126	126	126	126	126	126
43	160	160	160	160	150	150	145	135	135	130	130
39	185	185	180	165	155	150	145	140	135	135	130
35	205	205	195	180	165	155	150	145	140	135	130
32	210	210	210	205	185	175	160	155	150	145	130
28	225	225	225	225	210	175	165	155	150	145	130
24	235	235	235	235	210	175	165	155	150	145	130
4-19	235	235	235	235	235	225	205	165	165	155	160

EVERGREEN INTERNATIONAL AIRLINES, INC.

Headquarters

3850 Three Mile Lane • McMinnville, Oregon 97128-9496 USA

Tel: 503-472-0011 • Toll Free: 800-382-2746 • Fax: 503-434-4210

E-mail: easales@evergreenaviation.com • SITA: HDQSSEZ

*Subject to weight and balance limitations