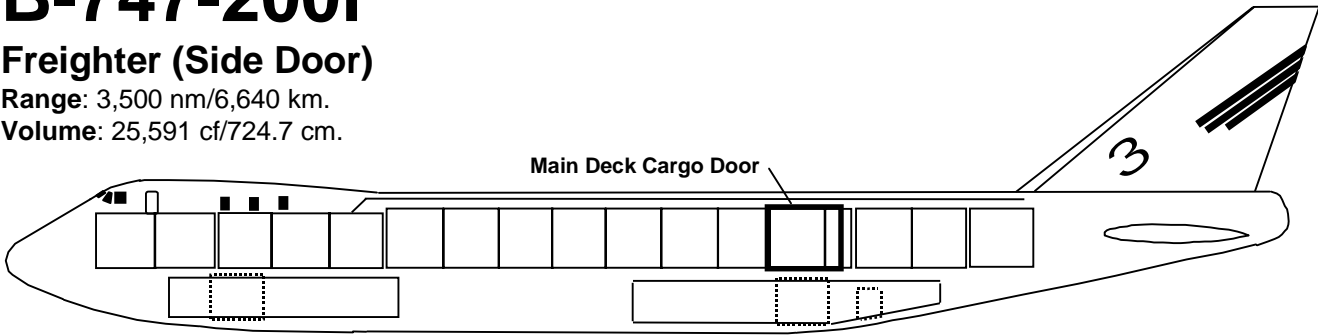


B-747-200F

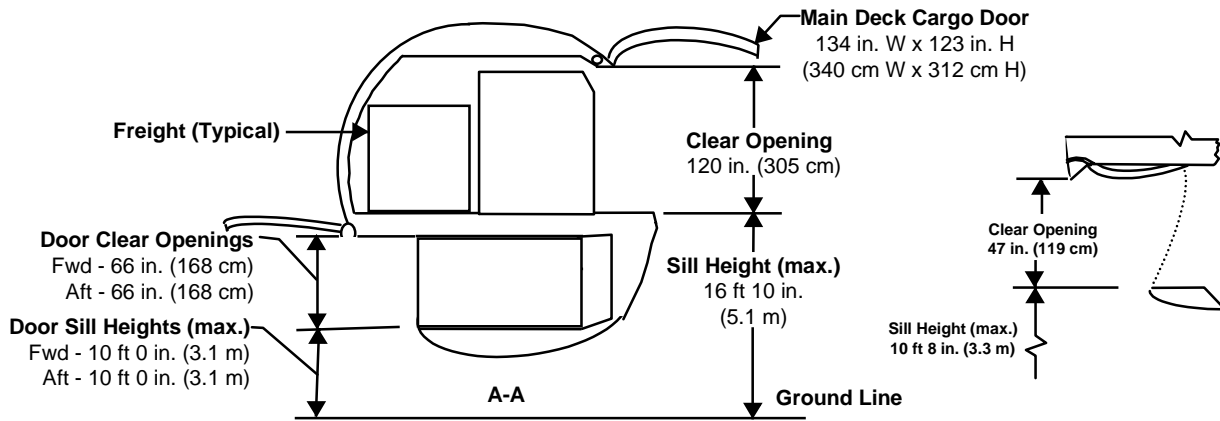
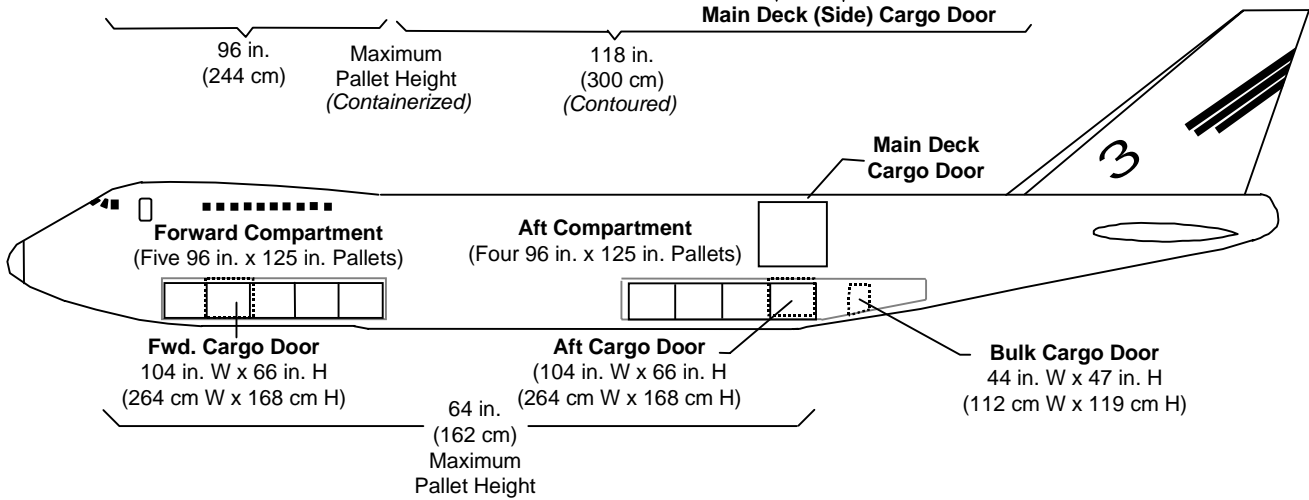
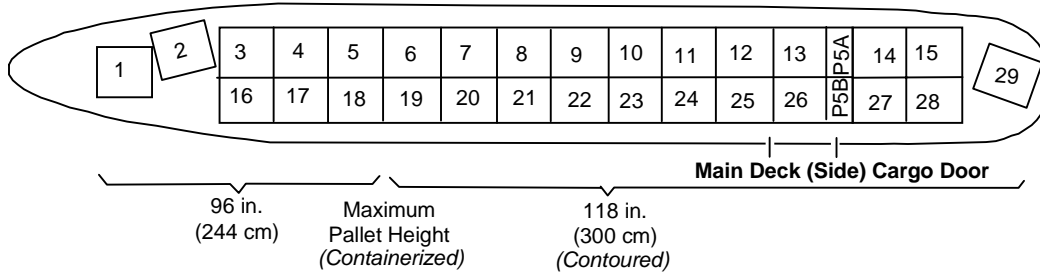
Freighter (Side Door)

Range: 3,500 nm/6,640 km.

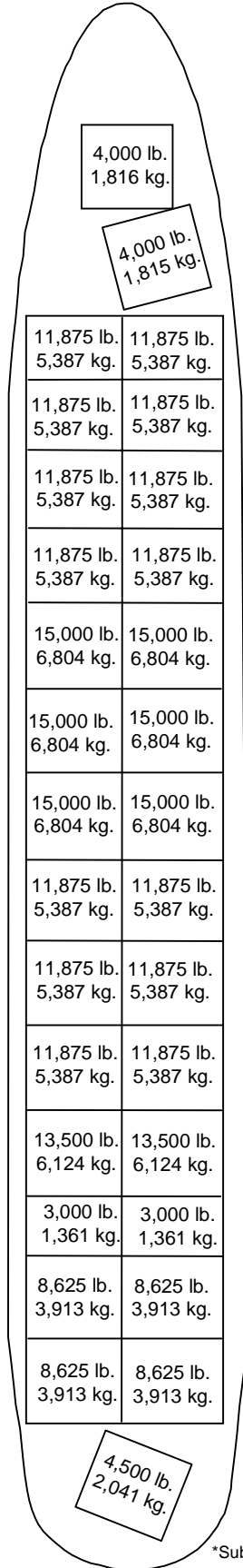
Volume: 25,591 cf/724.7 cm.



Main Deck 29 Pallets (96 in. x 125 in.) and 2 Half Pallets (96 in. x 53 in.)



Pallet Position Max. Weights*



**Lower Deck
Max. Weights***
(96 in. x 125 in.
Pallets)

11,100 lb.
5,035 kg.

11,100 lb.
5,035 kg.

11,100 lb.
5,035 kg.

11,100 lb.
5,035 kg.

11,100 lb.
5,035 kg.

11,100 lb.
5,035 kg.

11,100 lb.
5,035 kg.

11,100 lb.
5,035 kg.

11,100 lb.
5,035 kg.

14,800 lb.
6,750 kg.
(bulk)

*Subject to weight and balance limitations

B-747-200F

Freighter (Side Door)

N482EV, N485EV, N486EV

Max. Gross Payload: 248,300 lbs/114,300 kgs.

Main Deck Max. Piece Size

| Height Inches | Width in Inches | | | | | | | | | | | | | |
|------------------|-----------------|-----|-----|-----|-----|-----|-----|-----|-----|-----|-----|-----|-----|-----|
| | 10 | 20 | 30 | 40 | 50 | 60 | 70 | 80 | 90 | 100 | 110 | 120 | 130 | 134 |
| 118 | 470 | 412 | 367 | 331 | 302 | 280 | 259 | 239 | 219 | 198 | 179 | 161 | 144 | 137 |
| 114 | 536 | 458 | 404 | 361 | 326 | 299 | 277 | 256 | 237 | 217 | 196 | 177 | 158 | 153 |
| 108 | 600 | 509 | 441 | 391 | 350 | 318 | 293 | 271 | 251 | 231 | 212 | 192 | 173 | 165 |
| 102 | 600 | 561 | 481 | 418 | 373 | 338 | 309 | 284 | 263 | 243 | 224 | 204 | 185 | 180 |
| 0-96 | 600 | 600 | 517 | 447 | 395 | 355 | 323 | 297 | 275 | 254 | 232 | 213 | 196 | 192 |

Lower Deck Max. Piece Size
Forward & Rear Compartments

| Height | Width in Inches | | | | | | | | | | | |
|--------|-----------------|-----|-----|-----|-----|-----|-----|-----|-----|-----|-----|--|
| | 10 | 20 | 30 | 40 | 50 | 60 | 70 | 80 | 90 | 100 | 104 | |
| 64 | 280 | 285 | 220 | 195 | 170 | 155 | 125 | 125 | 125 | 125 | 125 | |
| 60 | 330 | 325 | 240 | 220 | 195 | 175 | 160 | 145 | 135 | 125 | 125 | |
| 55 | 385 | 360 | 280 | 245 | 215 | 195 | 175 | 155 | 145 | 135 | 135 | |
| 50 | 440 | 430 | 305 | 265 | 230 | 210 | 185 | 165 | 150 | 145 | 140 | |
| 45 | 440 | 440 | 360 | 300 | 260 | 225 | 200 | 170 | 155 | 150 | 140 | |
| 40 | 440 | 440 | 410 | 345 | 290 | 255 | 220 | 195 | 175 | 160 | 155 | |
| 35 | 440 | 440 | 440 | 380 | 330 | 270 | 235 | 205 | 180 | 160 | 155 | |
| 30 | 440 | 440 | 440 | 420 | 345 | 285 | 245 | 210 | 190 | 165 | 160 | |
| 25 | 440 | 440 | 440 | 440 | 360 | 300 | 255 | 220 | 190 | 165 | 160 | |
| 20 | 440 | 440 | 440 | 440 | 385 | 315 | 265 | 225 | 195 | 170 | 160 | |
| 15 | 440 | 440 | 440 | 440 | 415 | 330 | 280 | 235 | 200 | 175 | 160 | |
| 10 | 440 | 440 | 440 | 440 | 440 | 360 | 295 | 245 | 210 | 180 | 165 | |
| 5 | 440 | 440 | 440 | 440 | 440 | 440 | 320 | 265 | 225 | 185 | 170 | |

Aft Bulk Compartments

| Height Inches | Width in Inches | | | | | | | | | | |
|------------------|-----------------|-----|-----|-----|-----|-----|-----|-----|-----|-----|-----|
| | 4 | 8 | 12 | 16 | 20 | 24 | 28 | 32 | 36 | 40 | 44 |
| 47 | 140 | 140 | 140 | 132 | 126 | 126 | 126 | 126 | 126 | 126 | 126 |
| 43 | 160 | 160 | 160 | 160 | 150 | 150 | 145 | 135 | 135 | 130 | 130 |
| 39 | 185 | 185 | 180 | 165 | 155 | 150 | 145 | 140 | 135 | 135 | 130 |
| 35 | 205 | 205 | 195 | 180 | 165 | 155 | 150 | 145 | 140 | 135 | 130 |
| 32 | 210 | 210 | 210 | 205 | 185 | 175 | 160 | 150 | 150 | 145 | 130 |
| 28 | 225 | 225 | 225 | 225 | 210 | 175 | 165 | 150 | 150 | 145 | 130 |
| 24 | 235 | 235 | 235 | 235 | 210 | 175 | 165 | 150 | 150 | 145 | 130 |
| 4-19 | 235 | 235 | 235 | 235 | 235 | 225 | 205 | 165 | 165 | 155 | 160 |

EVERGREEN INTERNATIONAL AIRLINES, INC.

Headquarters

3850 Three Mile Lane • McMinnville, Oregon 97128-9496 USA

Tel: 503-472-0011 • Toll Free: 800-382-2746 • Fax: 503-434-4210

E-mail: easales@evergreenaviation.com • SITA: HDQSSEZ